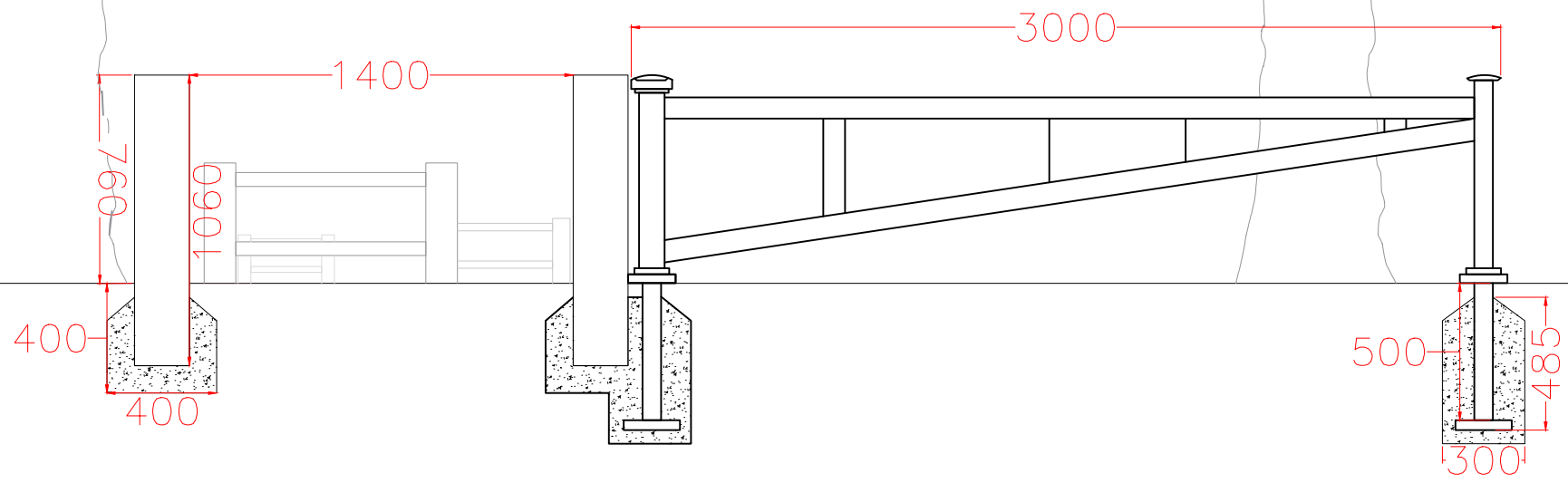




Location Plan - NTS



Client: FRIENDS OF GIPTON WOOD		↑ North
Project: GIPTON WOOD		
Drawing title: CHICANE ENTRANCE AND ACCESS BARRIER DETAIL OPPOSITE GIPTON WOOD PLACE		
Drawing no: 4103/504	Rev: A	
Scale: 1:25 @ A4	Date: 12.01.2026	
Drawn by: TM	Checked by: MK	



Groundwork Yorkshire
Environment and Business Centre
Merlyn-Rees Avenue, Morley
Leeds, LS27 9SL
www.groundwork.org.uk/north-east-and-yorkshire/
Charity Registration 519846
Company Registration 220681